

Prep time: 30 minutes

You will need:

Printed Kinder template
(on the following page)
A4 coloured paper or card
scissors
hobby glue / double-sided tape
glue stick
washi tape
scoring tool
stick on eyes
felt pens

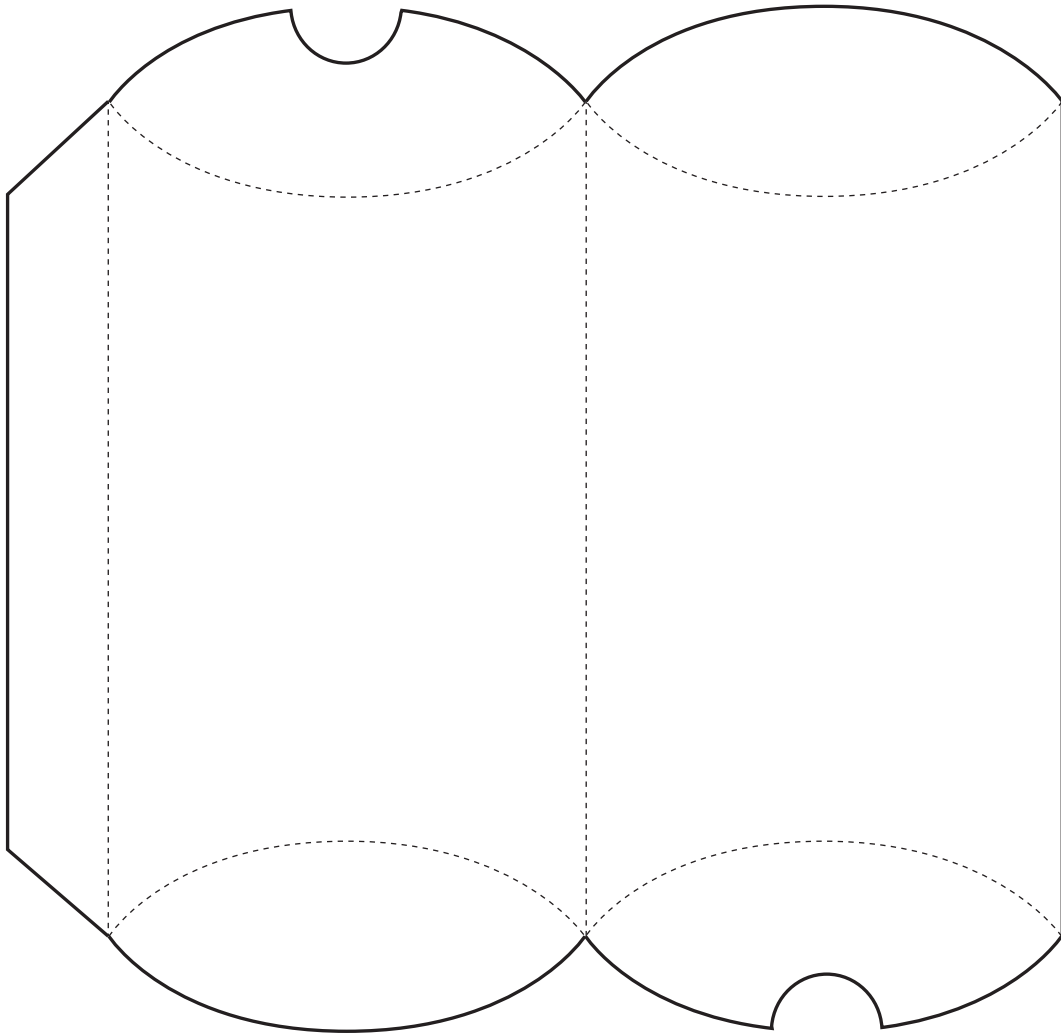
Decoration ideas:

foil from Kinder wrapper
material scraps
paper straws



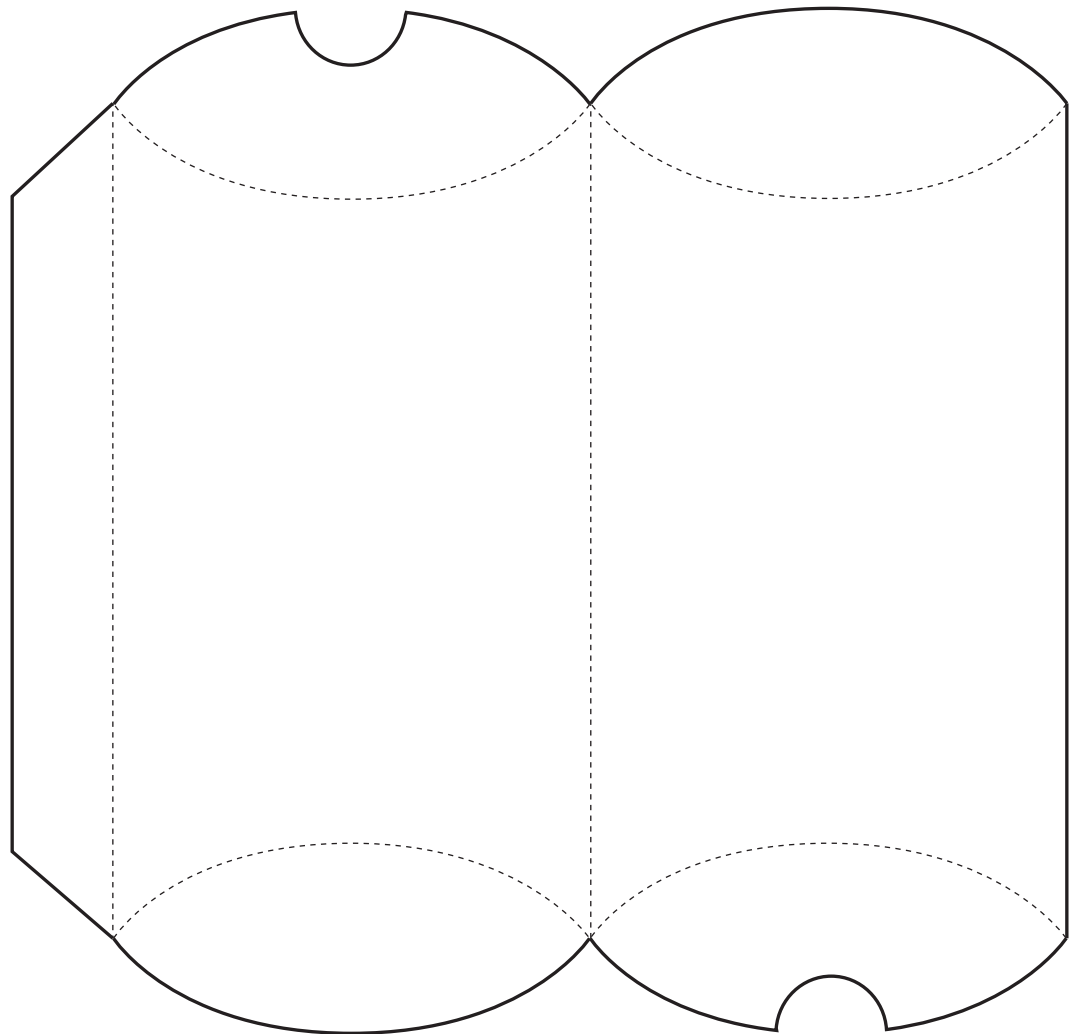
FREAKY TREATS

fun with **Kinder**® CHOCOLATE



SCORE ALONG DOTTED LINE
CUT ALONG SOLID LINE

Kinder[®]
CHOCOLATE





STEP 1

Download the Kinder template from our website and print out at 100% on coloured A4 paper.



STEP 2

Cut out along the solid line and score gently along the dotted line. Don't score too hard or the paper may tear or split when you fold!! Fold along the scored lines.



STEP 3

Apply glue along the flap and stick to the inside of the opposite edge. Once dry, fold in either end - notch side first - to create a pillow.



STEP 4

Lay flat with ends open. Decorate with coloured paper shapes, stick on eyes, coloured felt pens, bits of material or whatever you have available in your craft box.



STEP 5

When dry, fill with 2 **Kinder. CHOCOLATE** treat bars or 4 **Kinder. CHOCOLATE** Minis and close both ends, ready to gift or share with your friends.



DONE!



FREAKY TREATS

fun with **Kinder. CHOCOLATE**